

All-in-one Med-cam system

Ultra-slim Video Nasolaryngoscope

High-quality HD Camera Head

All-purpose system for ENT applications



All-in-one – All you need

This all-in-one Med-cam system has been developed in close cooperation with clinical users in order to provide maximum benefits for both patients and users. The ultra-slim Video Nasolaryngoscope provides an extremely gentle insertion, meaning minimal discomfort and time in procedure. The high-quality HD camera head offers all possibilities and enables optimal image quality.

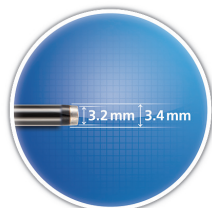
CMOS Video Nasolaryngoscope – Optimal cost / performance ratio



Integrated LED
for optimal operating expense



Ergonomic design
for effortless use



Ultra-slim-line
for gentle insertion



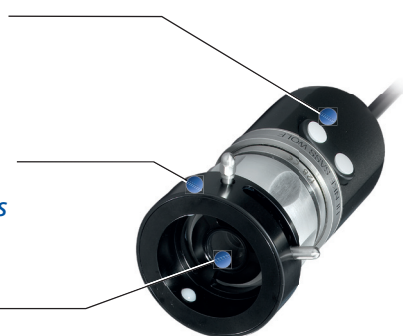
Precise motion
for perfect control

CMOS HD Camera Head – All possibilities

Ergonomic design
for effortless use

All-purpose system
for ENT applications

HD sensor
for optimal image quality



Video Nasolaryngoscope with integrated LED illumination

Article no.	830 001 1825
Working length	approx. 300 mm
Diameter distal end	3.2 mm
Diameter insertion tube	3.4 mm
Direction of view	0°
Field of view	90°
Bending range of distal tip	130° up/down

Video Nasolaryngoscope, light guide version

Article no.	830 001 2731
-------------	--------------

Camera Head

Article no.	830 001 3118
-------------	--------------

Coupler

Article no.	830 001 8854
-------------	--------------

Med-cam control unit

Article no.	830 001 2748
Input voltage range	100 - 240 VAC, 50/60 Hz
Output	1x USB for image storage, DVI