

Videokolposkop ViCo S

mounted on an Examination Chair
or a Mobile Stand

Kaps ViCo S mounted on an
Examination Chair

Here, too, Kaps has the right product for every application!

The ViCo S is equipped with a spring arm for even easier positioning of the system.

You can choose between two versions:

- Adapted to an examination chair
- On a mobile stand



Full HD
1080

ViCo S HD

The Kaps **ViCo S** video colposcope is also available in full HD quality.

ViCo S HD guarantees even more brilliant images with enhanced image detail and the highest resolution, for reliable diagnosis and optimal documentation of findings.

Kaps ViCo on a Mobile Stand, with Integrated LED Light and Swivel Arm and Unobstructed Access to the Patient.

Kaps Accessories for Stereo Colposcopes

Powerful down to the last detail



Photo tube for DSLR camera



HD photo adapter for SONY



HD video accessories



LEDone



LED upgrade

Video and photo documentation for optical colposcopes of the KP and SOM® series

With additional photo and video equipment, standard colposcopes can be upgraded to full photo/video colposcopes--optimal for diagnosis and documentation of medical findings.

- **Kaps photo tube for DSLR camera**
Multi-coated anti-reflection high-end optics for a frame-filling, low-distortion and image field leveled digital camera image for Canon and Nikon
- **Kaps HD photo adapter for SONY NEX-5/-6/-7 and Alpha 5000/6000**
HD documentation of medical findings with apochromatic optics for brilliant and true color images with amazing detail diversity in full format
- **Kaps HD video and documentation accessories**
Wide range of video and documentation accessories on request. Please ask for current information.

LED Lighting

Upgrade Your Colposcope!
A higher light intensity through white light LED illumination results in significantly improved contrast and therefore more accurate diagnosis.

- **Kaps LEDone for KP 3000 and 3000 S**
Standalone light source at an attractive price for effortless and detailed work in daylight quality
- **Kaps LED upgrade for SOM® 42 + 52**
Durable retrofit kit for optimum LED lighting for effortless working with daylight color temperature (possible for all cold light models from serial number 6000)

Kaps Media Work Station BE

for the effortless documentation

Kaps Media Workstation BE simplified the daily routine in the doctors office. We organized your images and videomaterial easy and efficient in a elektronic health record.

The software is multilingual, self-explanatory and easy to use.

Management

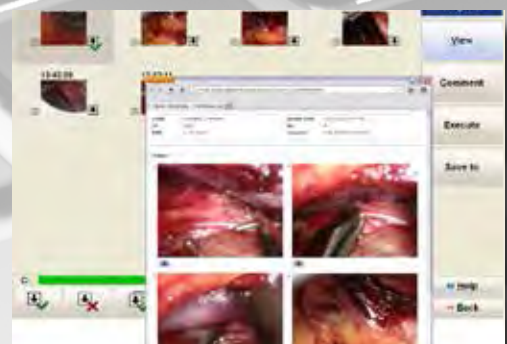
- Patient data, images and comments are stored in structured database
- Automatic assignment of patient ident numbers
- Search and sort functions for patient data
- Full text search function Automatic backup with scheduled interval

Findings

- Multiple-split display during recording
- Recording controllable by foot or camera
- Video playback with a slide bar for individual selection of time positions
- Input of diagnoses comments

Documentation

- Graphics marks for emphasizing of findings
- Automatic creation of customizable HTML reports with images
- Automatic cropping of black frames in printouts
- Direct print of images with embedded patient data and other additional information



Technical data

Kaps KP 3000 + KP 3000 S

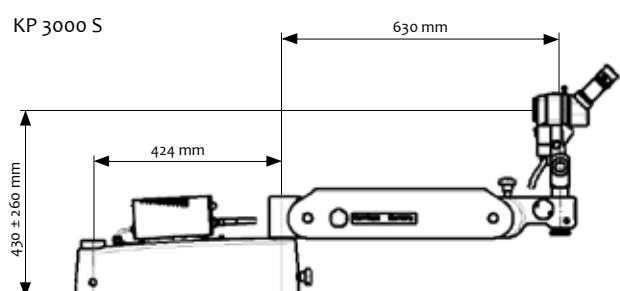
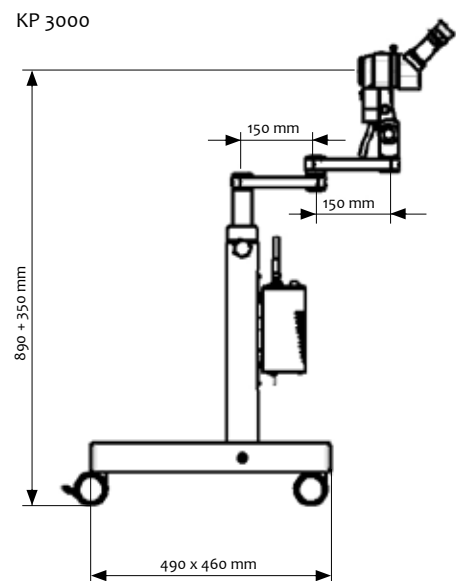
Rolling base	600 mm height
Straight tube	f = 125 mm
Inclined tube	f = 125 mm
Objective	f = 300 mm (on choice f = 250 mm)
Eyepieces	WF 20 x V with diopter compensation (on choice WF 16 x V)
Green filter	swing in green filter
Illumination	LEDone, continuously adjustable
T-handle	can be mounted left or right side

Magnification with 3-step changer

	Magnification	Field of view Ø
Objective f = 250 mm	6,5 x	30 mm
	10,0 x	18 mm
	16,0 x	12 mm
Objective f = 300 mm	5,0 x	36 mm
	8,0 x	22 mm
	13,0 x	15 mm

Magnification without changer

	Magnification	Field of view Ø
Objective f = 250 mm	10,0 x	18 mm
Objective f = 300 mm	8,5 x	22 mm



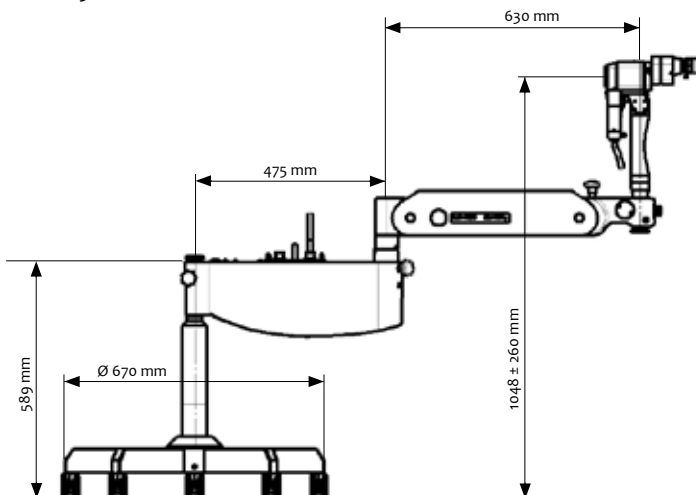
Kaps SOM 52 + SOM 42

Illumination	coaxial halogen illumination 12 V / 100 W (direct) coaxial cold-light illumination 15 V / 150 W - all colposcope outfits are equipped with a stand-by spare lamp integrated LED illumination
Working distance / Objective	250 mm or 300 mm are standard - other focal length on request
Fine focusing	12 mm with focusing objective f = 250 mm and f = 300 mm 40 mm manual 40 mm motorized
Binocular tubes	straight tube f = 125 mm, inclined tube f = 125 mm 45° as standard straight tube f = 159 mm, inclined tube f = 159 mm 45° on request wide-angle inclinable tube f = 182 mm 0 -210° on request
Oculars, Pairs	wide-angle, oculars with diopter WF 16 x V or WF 20 x V - reticules on request
Magnification	3-step magnification changer 5-step magnification changer zoom 1-6 manual or motorized (apochromatic)

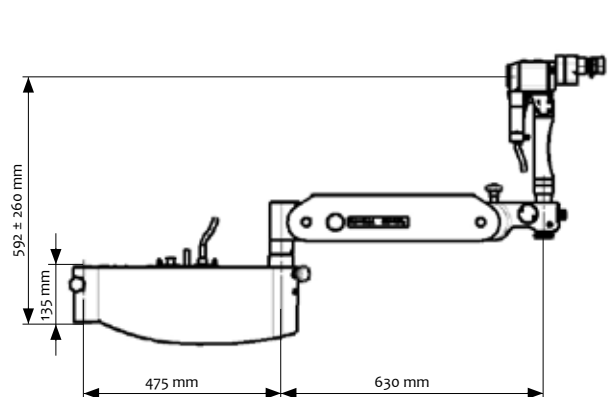
Magnification changer 5-step and binocular tube f = 125 mm

Factor sign	0,4	0,63	1,0	1,6	2,5	Objective f = 300 mm corresponding about the working distance (alternative objective f = 250 mm)
Magnification	3,4	5,4	8,5	13,6	21,2	
Field of view Ø [mm]	55	35	21,5	13,2	8,5	Eyepieces WF 20 x

SOM 52



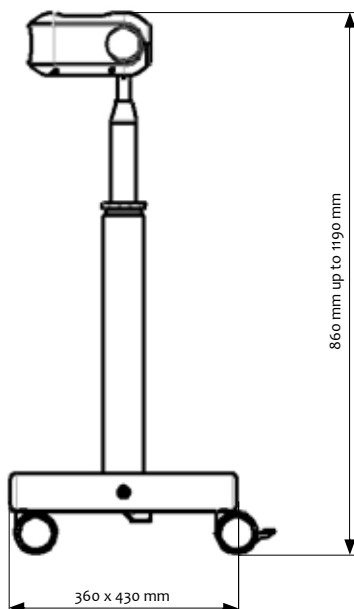
SOM 42



Technical data

	ViCo + ViCo S	ViCo S HD
Picture resolution	470 TV lines NTSC 460 TV lines PAL	1920 (H) x 1080 (V) points
Picture format	4:3	16:9
Video standard	PAL or NTSC	1080i (full HD)
Video output	Y/C (S-video), BNC (composite video)	Component video (Y/Pb/Pr)
Dimensions	170 (L) x 80 (B) x 110 (H) mm	170 (L) x 80 (B) x 110 (H) mm
Magnification	optical zoom system 18x	zoom up to 120x (optical 10x, digital 12x)
Working distance	250 mm - 300 mm	250 mm - 300 mm
Weight	ca. 1200 g	ca. 1200 g
Illumination	Super bright LED ring, 5800 K	Super bright LED ring, 5800 K
Filter	green filter electronically	green filter electronically
Focusing	motorized, automatically or manual	motorized, automatically or manual
POWER SUPPLY	90-240V AC, 50/60Hz	90-240V AC, 50/60Hz
Options	on request	on request

ViCo



ViCo S

